

DENTAMERICA INC.

ROTEX Handpiece Parts List

REVISED 8/30/07

ROTEX 780, 782 Handpiece (Page 2)

Description (Drawing #)	Part #
Handpiece With Cord	773
3rd Stage Housing(dwg#1)	775
Armature(motor complete)(dwg#2)	774
Wave Washer (dwg#3)	778
O-Ring (dwg#4)	779
Carbon Brush Housing(dwg#5)	781
Brass Flat End Screw(dwg#6)	784
Carbon Brush, set of 2 (dwg#7)	772
Carbon Brush Bracket (dwg#8)	785
Bracket Screw (dwg#9)	786
Handpiece Cable (dwg#10)	776
Plastic End Cap (dwg#11)	787
Turntable Washer 2 pcs(dwg#12)	788
Rotary Bearing Turntable(dwg#13)	789
Second Stage Housing (dwg#14)	790
Elevator (dwg#15)	791
Elevator Roller 2 pcs (dwg#16)	792
Spacers 4 pcs (dwg#17)	793
Spring Assembly (dwg#18)	794
First Stage Housing (dwg#19)	795
3-Bearing Chuck Assembly(dwg#20)	771
Front Nose Cone (dwg#21)	777

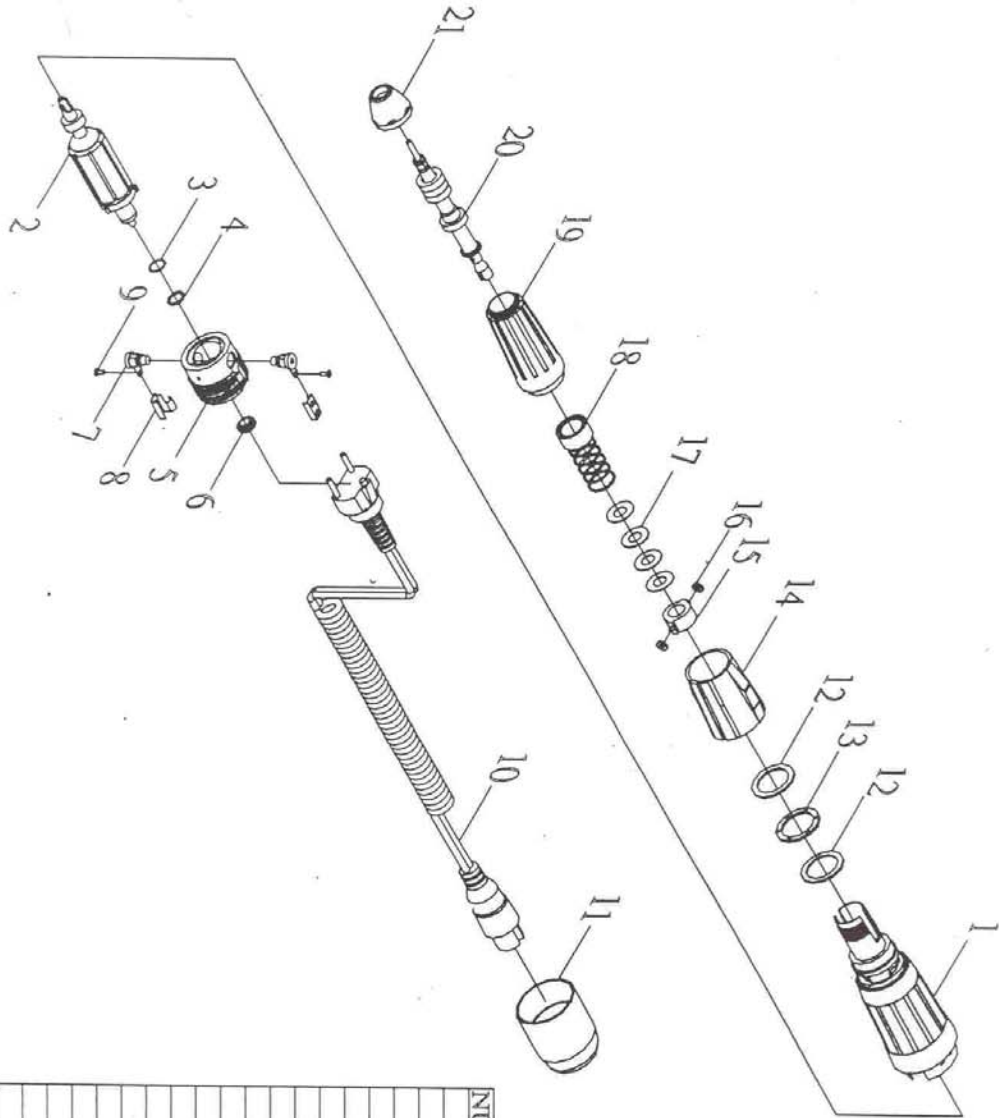
ROTEX 780, 782 Chuck Assembly (Page 3)

Description (Drawing #)	Part #
Chuck Collet (dwg#1)	758
Bushing Cover (dwg#2)	759
C-Ring (dwg#3)	760
Brass Bushing (dwg#4)	761
Chuck Bearing (dwg#5)	762
Chuck Sleeve(dwg#6)	763
Spring (dwg#7)	764
Spindle (dwg#8)	765

ROTEX 780, 782 Motor Assembly (Page 4)

Descripton (Drawing #)	Part #
Locking Fork (dwg#1)	766
Front Motor Bearing (dwg#2)	767
Armature (dwg#3)	768
Bushing (dwg#4)	769
Back Motor Bearing (dwg#5)	770

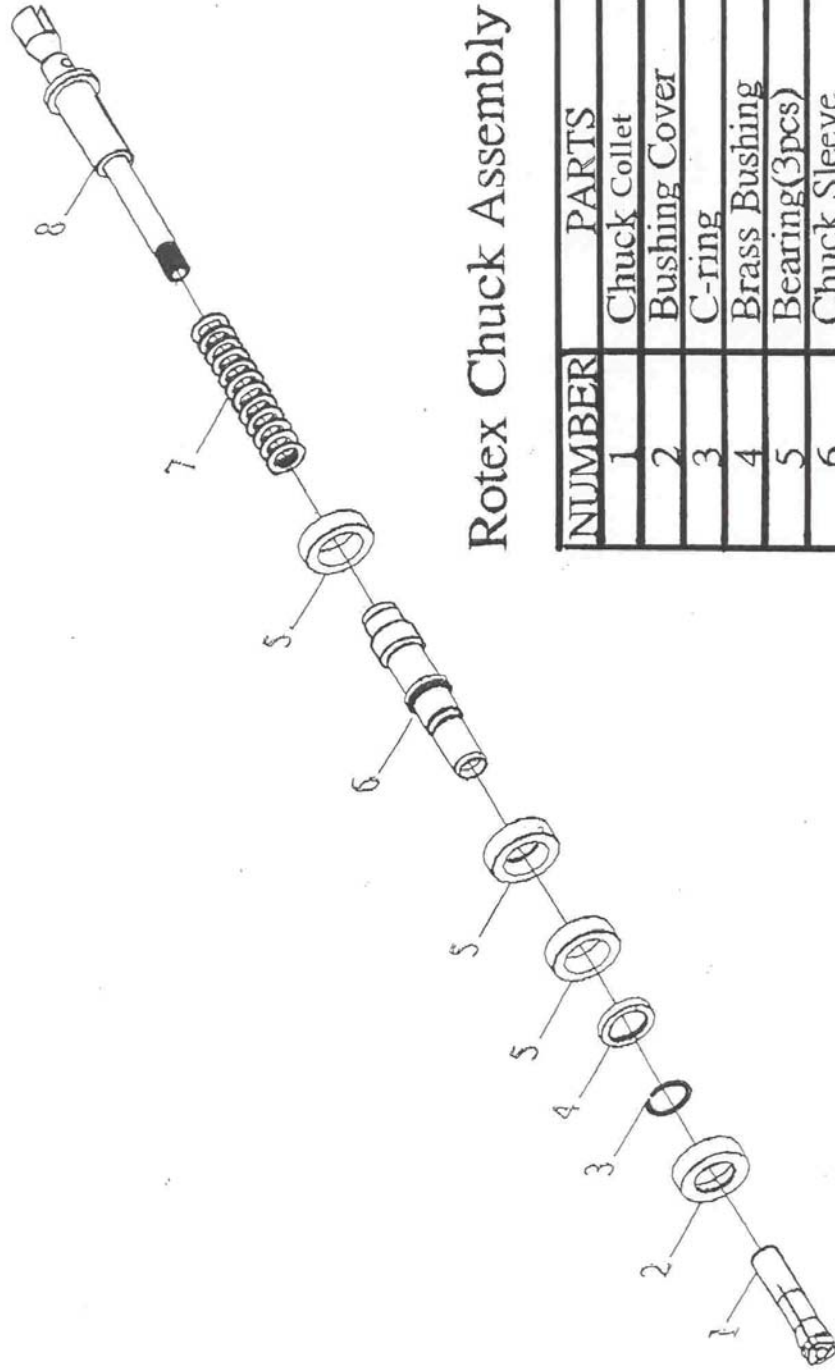
Extra Parts for Rotex 780, 782, 782E	
Item Description	Part No.
Tip 142 (780)	780106
Tip 147 (782/E)	782106
IC Board (780)	780150
IC Board (782/E)	782150
Standard Foot Pedal(780)	780208
Variable Foot Pedal (782/E)	780090
Handpiece Rest (780/2)	780090
Power Cable (780/2)	780216
Base Control Box (780)	780207
Base Plastic Housing (780)	780100
Transformer (780)	780102
Transformer (782/E)	782102
Speed Control Switch (780)	780105
Speed Control Switch (782/E)	782105
On/Off Switch (780)	780204
On/Off Switch (782/E)	782204
Forward/Reverse Switch(780)	780206
Forward/Reverse Switch(782/E)	782206
Fuse 2 AMP	780212
Speed Control Knob (780)	780104
Speed Control Knob (782/E)	782104
Handpiece Only 782E(no attachments)	783E



Rotex Handpiece

NUMBER	PARTS
1	Third Stage Housing (with Magn
2	Armature (with Bearings)
3	Wave Washer
4	O-ring
5	Carbon Brush Housing
6	Brass Flat End Screw
7	Carbon Brush
8	Carbon Brush Bracket
9	Bracket Screw
10	Handpiece Cable
11	Plastic End Cap
12	Turntable Washer (2 pcs)
13	Rotary Bearing Turntable
14	Second Stage Housing
15	Elevator
16	Elevator Roller (2 pcs)
17	Spacers (4 pcs)
18	Spring Assembly
19	First Stage Housing
20	3-Bearing Chuck Assembly
21	Front Nose Cone

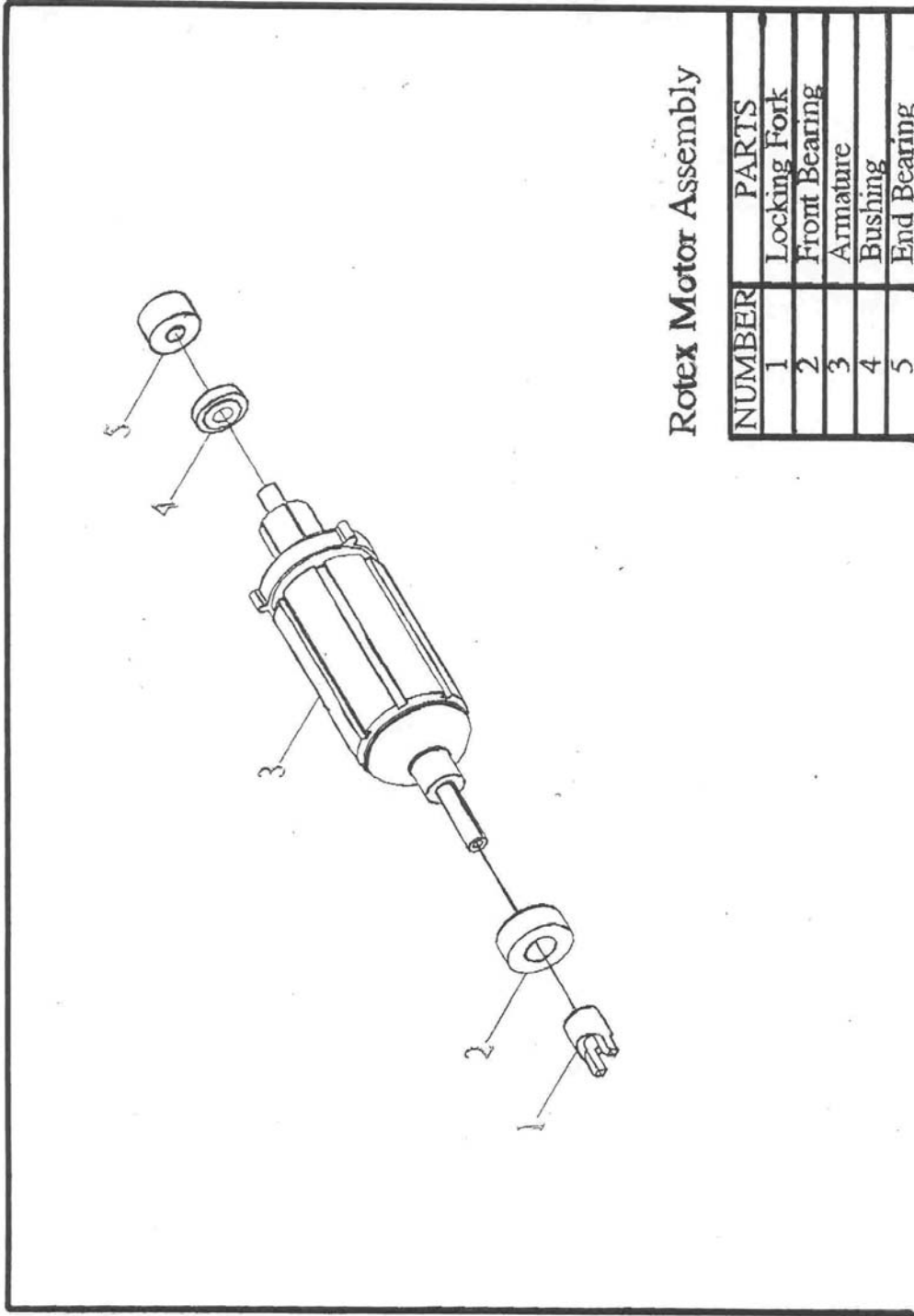
DENTAMERICA INC.



Rotex Chuck Assembly

NUMBER	PARTS
1	Chuck Collet
2	Bushing Cover
3	C-ring
4	Brass Bushing
5	Bearing(3pcs)
6	Chuck Sleeve
7	Spring
8	Spindle

DENTAMERICA INC.



Rotex Motor Assembly

NUMBER	PARTS
1	Locking Fork
2	Front Bearing
3	Armature
4	Bushing
5	End Bearing